

For Internal Use Only:

Proof Creation Date:

Our Job #:

Customer's PO #:

XX

XX

ICF12H

Factory Item ID#: ICF12H

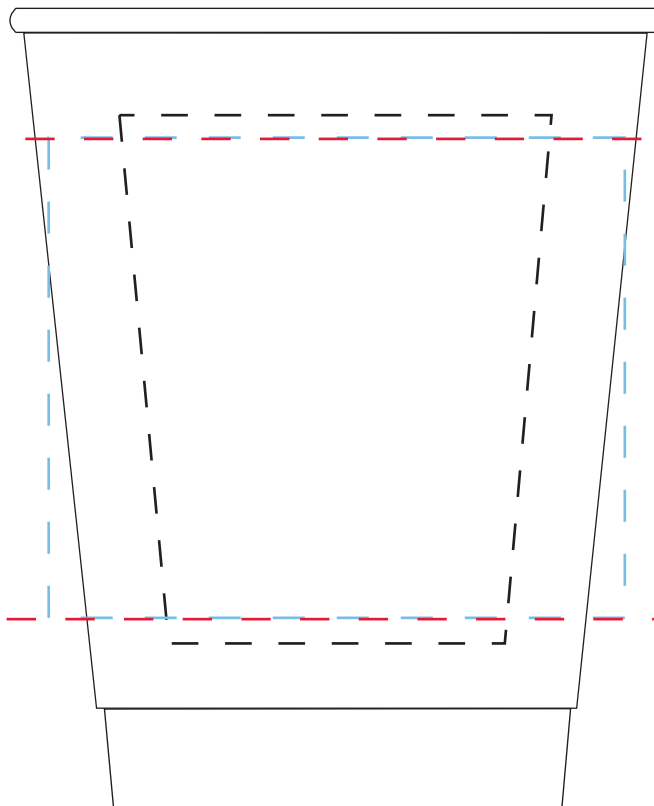
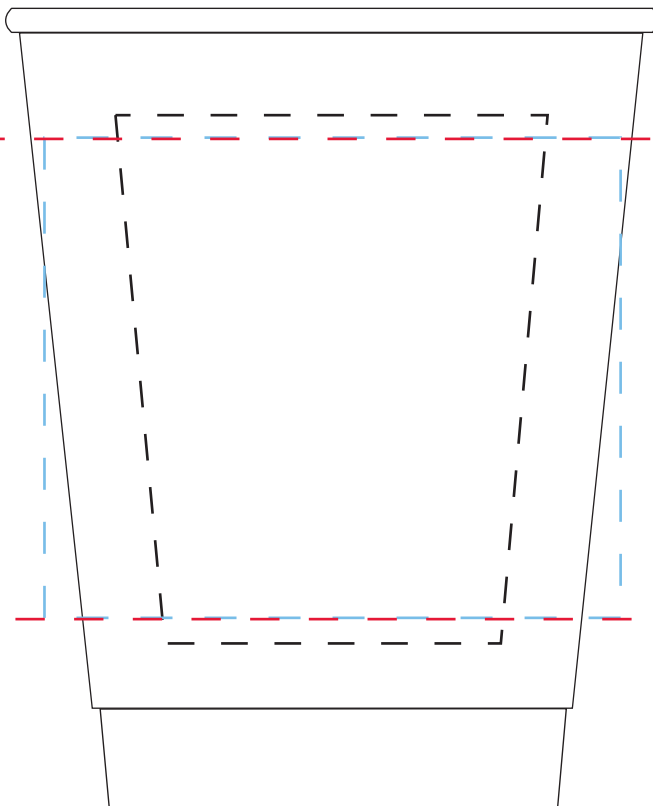
Plate ID#:

The ink will appear as UNCOATED on this product



PMS

Please note: If your artwork is too large or too small, and your purchase order does not state an exact artwork size for print, the artwork will be sized for best appearance within the standard imprint area identified below.



The ship date will be 5 business days after signed proof approval for up to 5,000 pieces. Any delay in approving the artwork may affect your in hands date.

PROOF NEEDS CORRECTION (Clearly mark corrections on copy above)  FAX A NEW REVISED PROOF  O.K. TO PROCEED TO PRESS

- PLEASE READ THIS PROOF CAREFULLY AND INDICATE ANY ERRORS IN Spelling, Style, placement, shipping information, etc.
- WE ARE NOT RESPONSIBLE for any errors not indicated to us at this time.
- Your signature below indicates your acknowledgement of all information on this proof as being correct.
- 

Approximate Artwork size=  
*Fax Proofs are not to size.*

IMAGE AREA (dotted line) = WRAP= 8.25"W x 2.5"H  
 1&2 sided imprint area= 3"W x 2.5"H  
 Multi color imprint area= 2.25" TW x 2.75"H x 1.75" BW

PRODUCT: 12oz. Insulated Paper Cup

Approval Signature: \_\_\_\_\_ Date: \_\_\_\_\_